

**EXPLANATION OF ABBREVIATIONS IN CATALOGUE**

**VERDUIDELIKING VAN AFKORTINGS IN KATALOGUS**

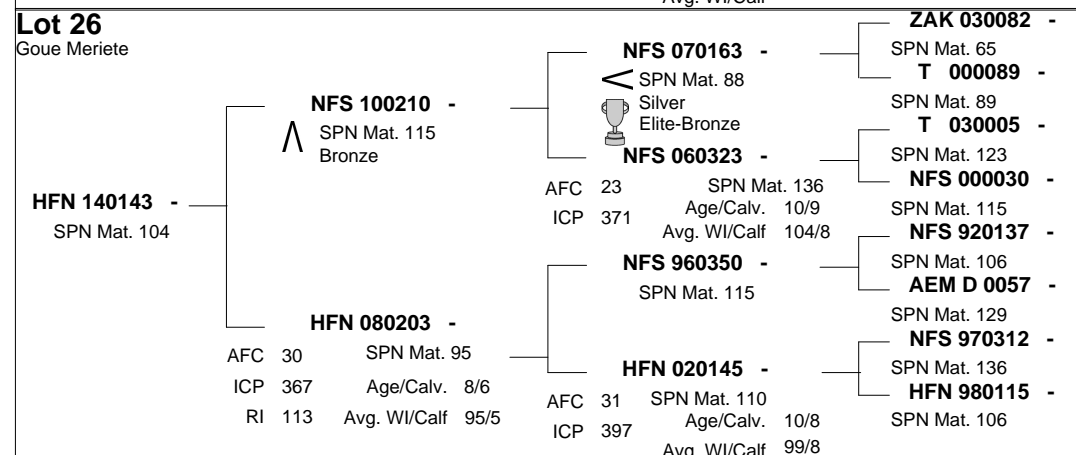
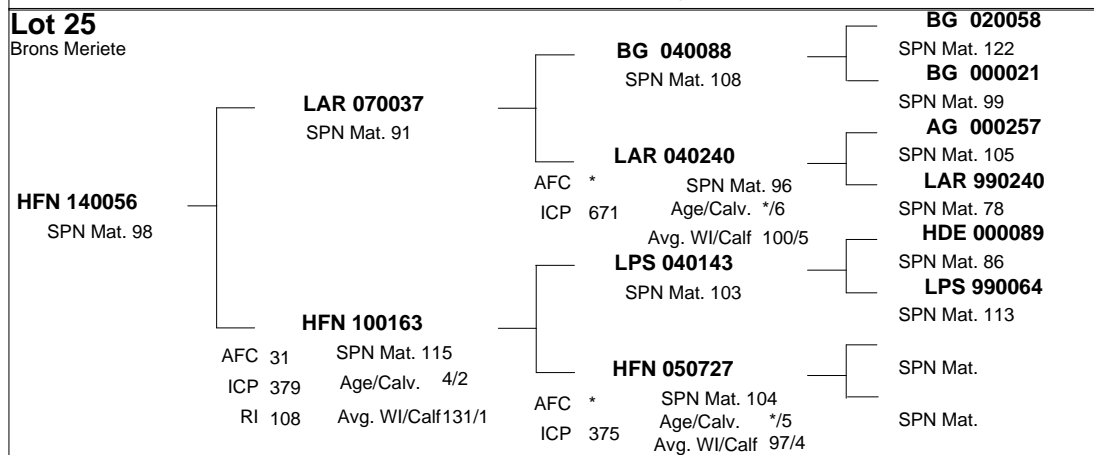
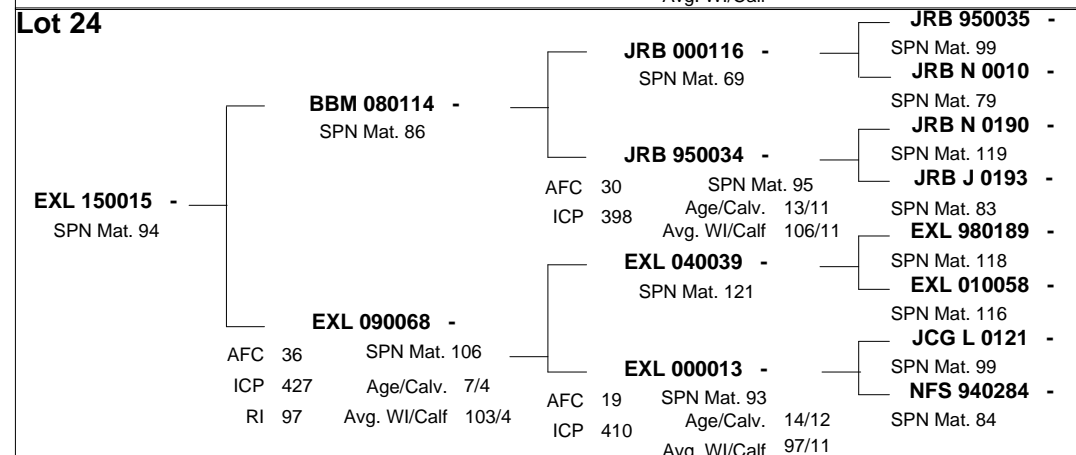
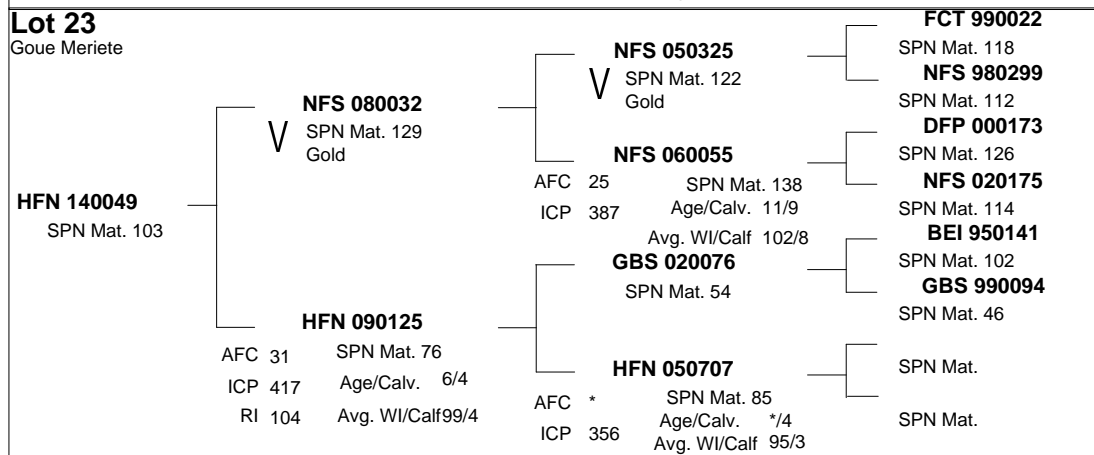
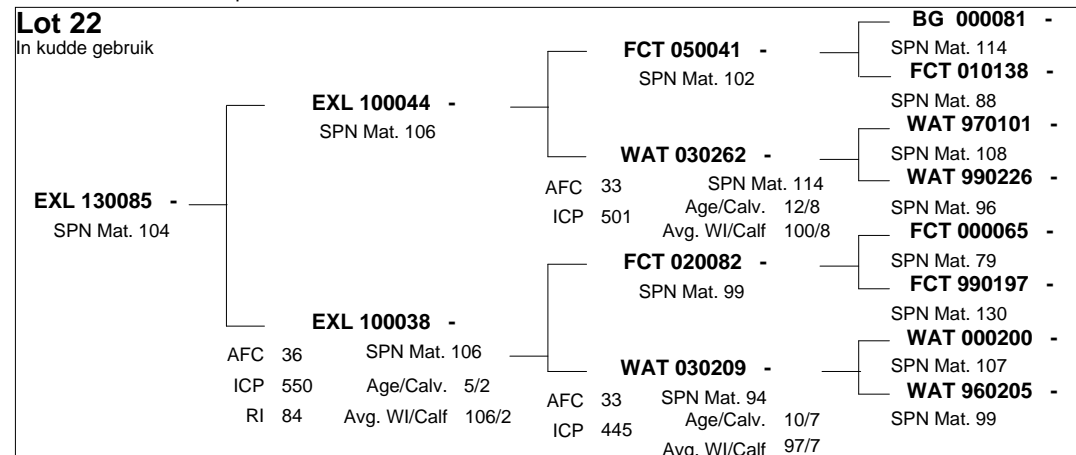
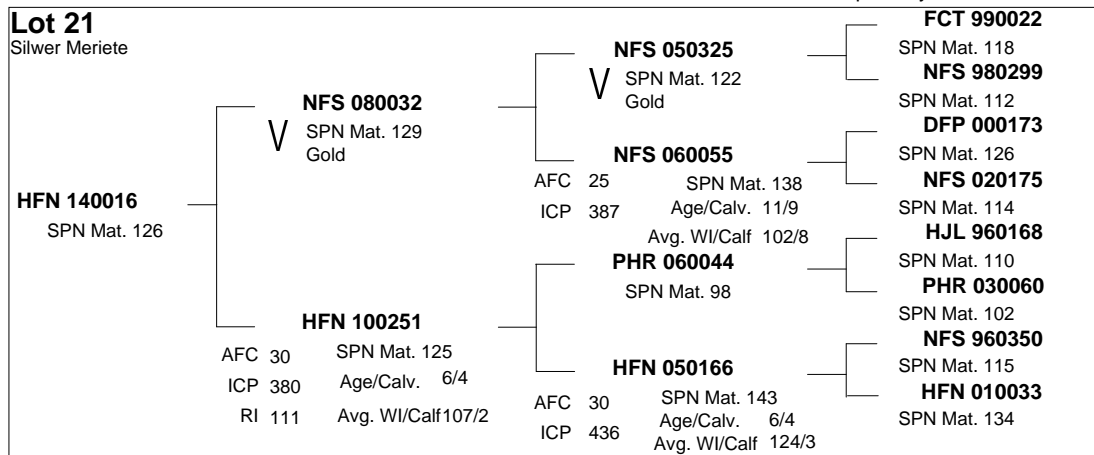
	DIRECT CALF TRAITS	DIREKTE KALF EIENSKAPPE	Kalf eienskappe
Calf traits	DIRECT CALF TRAITS	DIREKTE KALF EIENSKAPPE	Kalf eienskappe
Daughter traits	DAUGHTER TRAITS	DOGTER EIENSKAPPE	Dogter eienskappe
Growth traits	GROWTH	GROEI	Groei eienskappe
Efficiency traits	EFF	DOEL	Doeltreffendheids eienskappe
Reproduction traits	REPRODUCTION	REPRODUKSIE	Reproduksie eienskappe
Body measurements	MEASURE	MATES	Liggaamsmates
Lot number	Lot	Lot	Lotnommer
Ratio	R:	V:	Verhouding
Identification number	ID	ID	Identifikasienommer
Generation/Section of Herdbook	Gen	Gen	Generasie/Afdeling van kuddeboek
Weight in kilogram	Wgt kg	Gew kg	Gewig in kilogram
Index	Ind	Ind	Indeks
Accuracy of breeding value	Acc	Akk	Akkuraatheid van teelwaarde
Birth direct (kg)	Birth Dir	Geb Dir	Geboorte direk (kg)
Birth maternal (kg)	Birth Mat	Geb Mat	Geboorte maternaal (kg)
Wean direct (kg)	Wean Dir	Speen Dir	Speen direk (kg)
Wean maternal (kg)	Wean Mat	Speen Mat	Speen maternaal (kg)
Mature weight (kg)	Mature Wgt	Volw Gew	Volwasse gewig (kg)
365 Days (kg)	365d	365d	365 Dae (kg)
540 Days (kg)	540d	540d	540 Dae (kg)
Average daily gain (g/day)	ADG	GDT	Gemiddelde daaglikse toename (g/dag)
Feed conversion ratio	FCR	VOV	Voeromsetverhouding
Scrotal circumference (mm)	SC	SO	Skrotum omvang (mm)
Age First Calving	AFC	OEK	Ouderdom Eerste Kalwing
Inter Calving Period	ICP	TKP	Tussen Kalf Periode
Height (mm)	Hgt	Hgt	Hoogte (mm)
Length (mm)	Lgt	Lgt	Lengte (mm)
Length : Height ratio	LHR	HLV	Lengte : Hoogte verhouding
Birth weight : Cow weight ratio	BWR	GGV	Geboortegewig : Koeigewig verhouding
Wean weight : Cow weight ratio	WWR	SGV	Speengewig : Koeigewig verhouding
Age in years and months / Number of calvings	Age / Calv	Oud / Kalw	Ouderdom in jare en maande / Aantal kalwings
Average Wean index / Number of calves	Ave WI / Calf	Gem SI / Kalf	Gemiddelde Speenindeks / Aantal kalwers
Reproduction index	R.I.	R.I.	Reproduksie Indeks
Polled	Polled	Poena	Poena
Post Wean 365 days & Post Wean 540 days	PW365 & PW540	NS365 & NS540	Naspeen 365 dae & Naspeen 540 dae
Growth test & Growth test group	GT & GTg	GT & GTg	Groei Toets & Groeitoets groep
Central test	CT	ST	Sentrale toets
Ouerskap Verifikasie	OV	PV	Parentage Verification

Lot	Seller	ID	PARENTS	Test	Breeding Value Indexes											R:	Semen Users	Breeder Own Remarks		
					DIRECT CALF TRAITS		DAUGHTER TRAITS			GROWTH		EFF.	REP	MEASUREMENTS						
		SIRE		LidCat	Birth Dir	Wean Dir	Birth Mat	Wean Mat	Mat Wgt	Post Wean	ADG	FCR	SC	Hgt	Lgt	LHR				
		DAM		DNA	Acc	Acc	Acc	Acc	Acc	Acc	Acc	Acc	Acc	Acc	Acc	BWR				
		Gen		Birth Date	Wgt kg	Wgt kg	Ind	kg	kg	kg	365d Ind	540d Ind	Ind	Ind	(mm)	(mm)	(mm)	WWR		

## BULLS

21	H.F. NAUDE	HFN 140016	NFS 080032	C32	<b>86</b>	<b>123</b>	<b>96</b>	<b>126</b>	<b>140</b>	<b>126</b>	<b>135</b>	<b>147</b>	<b>109</b>	<b>124</b>	<b>127</b>	1.16		Silver Meriete
					2.43	22.0	-0.01	11.0	51.0	37.5	232	-109	15.7	18	43	-		
		SP	HFN 100251	06.05.14	39	208	111				-		<b>100</b>	106	343	1211		
22	EXCELSUS TRUST	EXL 130085	EXL 100044	PW540	<b>104</b>	<b>99</b>	<b>107</b>	<b>104</b>	<b>87</b>	<b>95</b>	<b>89</b>	<b>88</b>	<b>102</b>	<b>100</b>	<b>96</b>	-		In kudde gebruik
					0.54	11.4	-0.48	5.1	-6.0	15.6	38	-23	11.7	2	10	-		
		SP	EXL 100038	17.10.13	35	221	106				94	97	-	-	-	-		
23	H.F. NAUDE	HFN 140049	NFS 080032	C32	<b>100</b>	<b>113</b>	<b>104</b>	<b>103</b>	<b>127</b>	<b>121</b>	<b>139</b>	<b>158</b>	<b>106</b>	<b>128</b>	<b>129</b>	1.21		Goue Meriete
					0.95	17.7	-0.39	4.9	37.0	34.1	252	-125	14.0	21	44	-		
		B	HFN 090125	13.05.14	42	195	100				64	67	73	74	76	73		
24	EXCELSUS TRUST	EXL 150015	BBM 080114	PW540	<b>101</b>	<b>113</b>	<b>92</b>	<b>94</b>	<b>101</b>	<b>113</b>	<b>102</b>	<b>86</b>	<b>100</b>	<b>108</b>	<b>113</b>	-		
					0.82	17.8	0.19	2.2	9.0	28.0	93	-19	10.2	7	28	-		
		SP	EXL 090068	23.04.15	34	183	110				112	101	-	-	-	-		
25	H.F. NAUDE	HFN 140056	LAR 070037	C32	<b>101</b>	<b>117</b>	<b>97</b>	<b>98</b>	<b>110</b>	<b>109</b>	<b>111</b>	<b>92</b>	<b>123</b>	<b>124</b>	<b>120</b>	1.13		Bron Meriete
					0.89	19.5	-0.05	3.3	19.0	25.4	129	-29	23.6	18	35	-		
		B	HFN 100163	15.05.14	37	237	131				62	67	71	74	75	72		
26	H.F. NAUDE	HFN 140143	NFS 100210	C32	<b>102</b>	<b>108</b>	<b>108</b>	<b>104</b>	<b>114</b>	<b>103</b>	<b>117</b>	<b>130</b>	<b>110</b>	<b>109</b>	<b>104</b>	1.11		Goue Meriete
					0.78	15.3	-0.53	4.9	23.0	21.7	154	-84	16.0	8	19	-		
		SP	HFN 080203	19.06.14	39	208	111				60	65	72	73	74	71		

0.97	11.8	-0.18	3.9	8	19.3	84	-40	10.3	1	14
------	------	-------	-----	---	------	----	-----	------	---	----



Lot	Verkoper	ID POENA Gen	OUERS	Toets	Teelwaarde indekse												LHV	GGV	SGV	Semen Gebruikers	Gebruiker Eie Opmerkings	
					VADER	LidCat	Geb Dir	Speen Dir	Geb Mat	Speen Mat	Volw Gew	Naspeen	GDT	VOV	SO	Hgt						Lgt
					OV	DNS	Akk	Akk	Akk	Akk	Akk	Akk	Akk	Akk	Akk	Akk						Akk
			MOEDER	Geb. dat.	Gew kg	Gew kg	Ind	kg	kg	kg	365d Ind	540d Ind	Ind	Ind	(mm)	(mm)	(mm)					

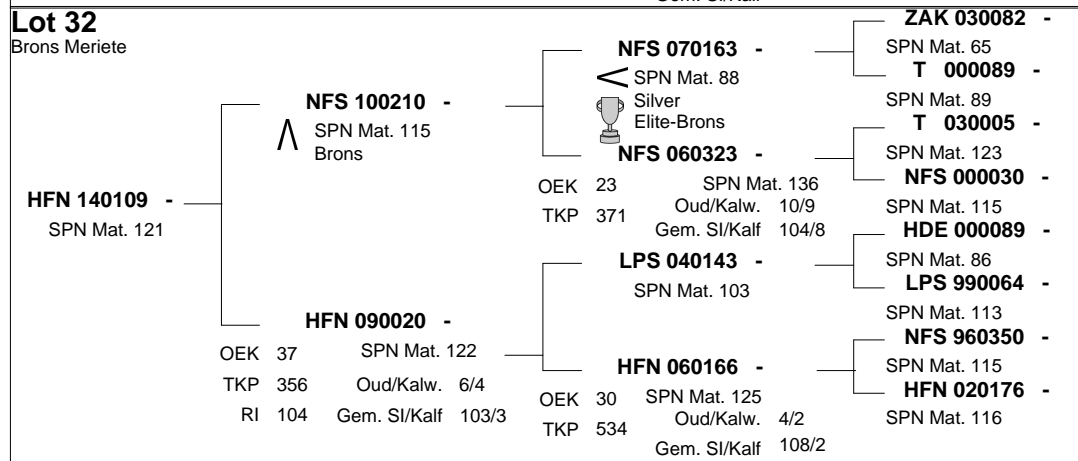
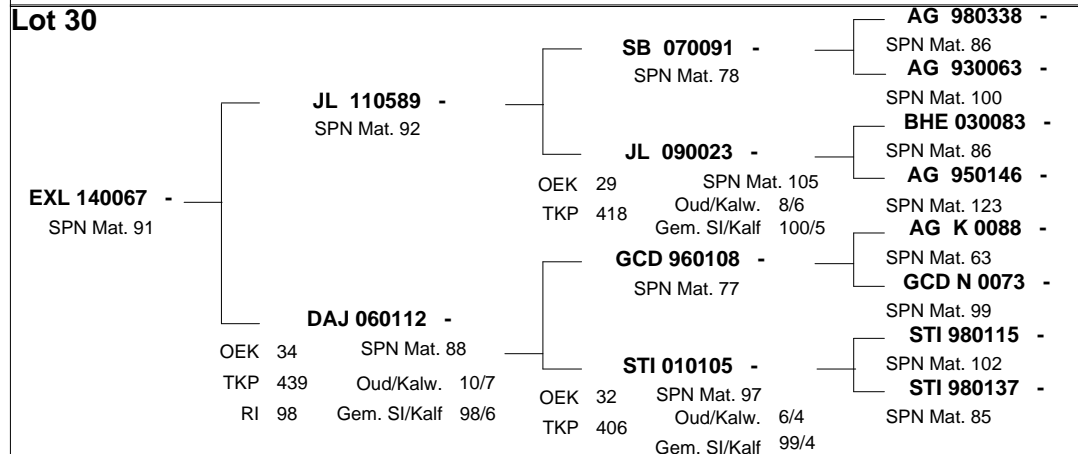
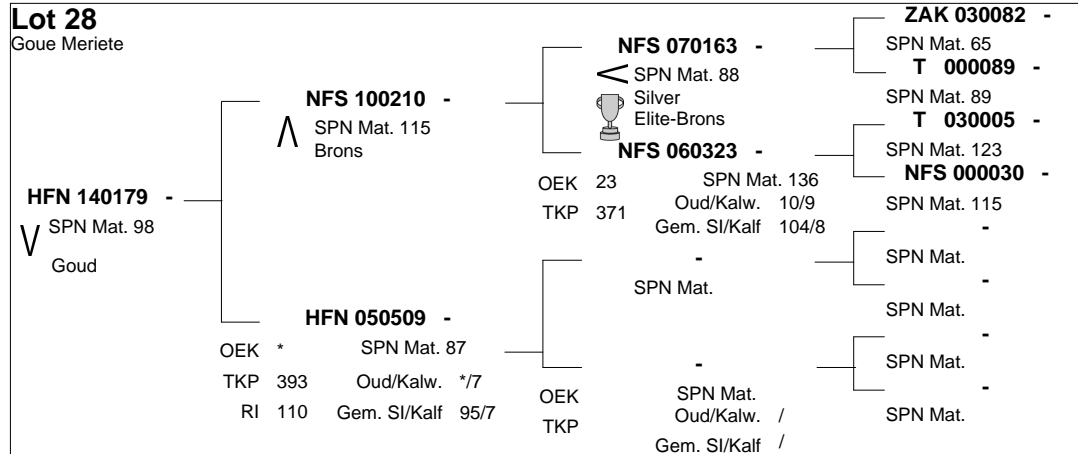
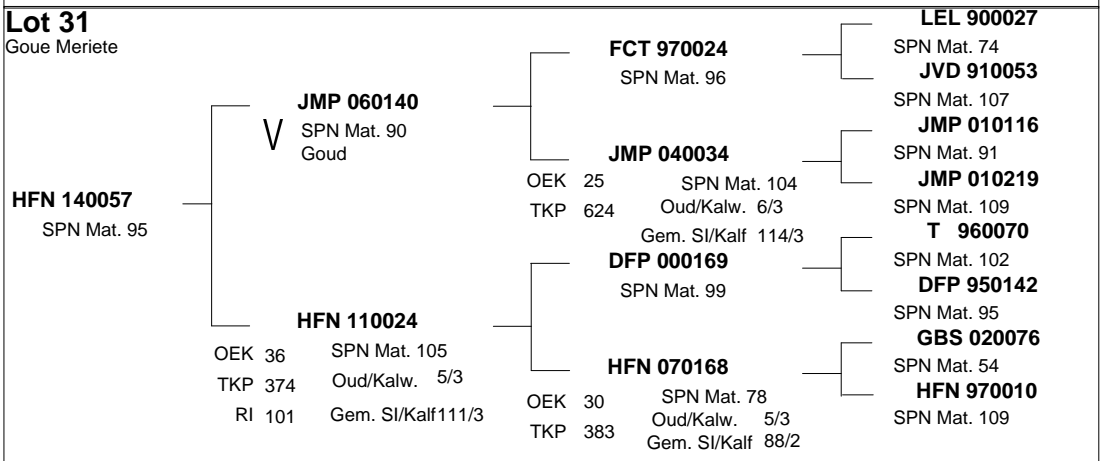
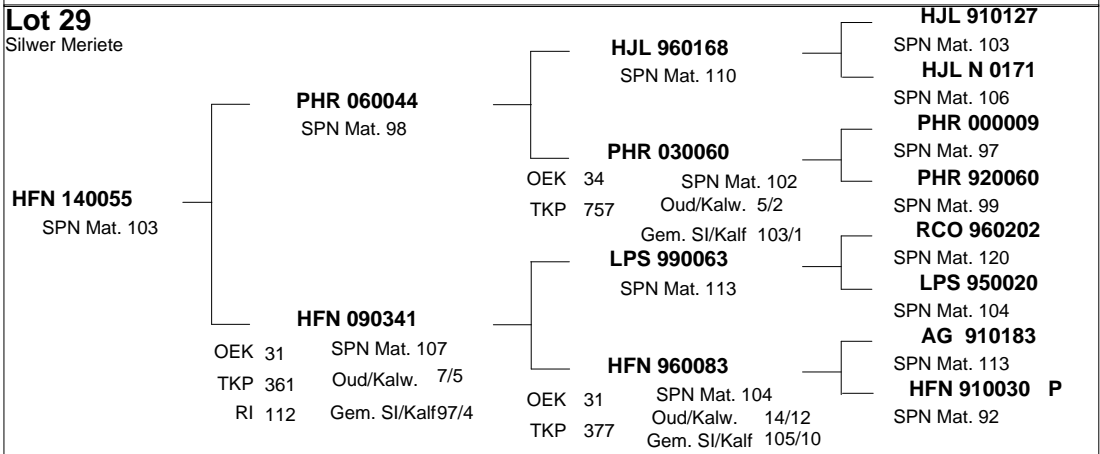
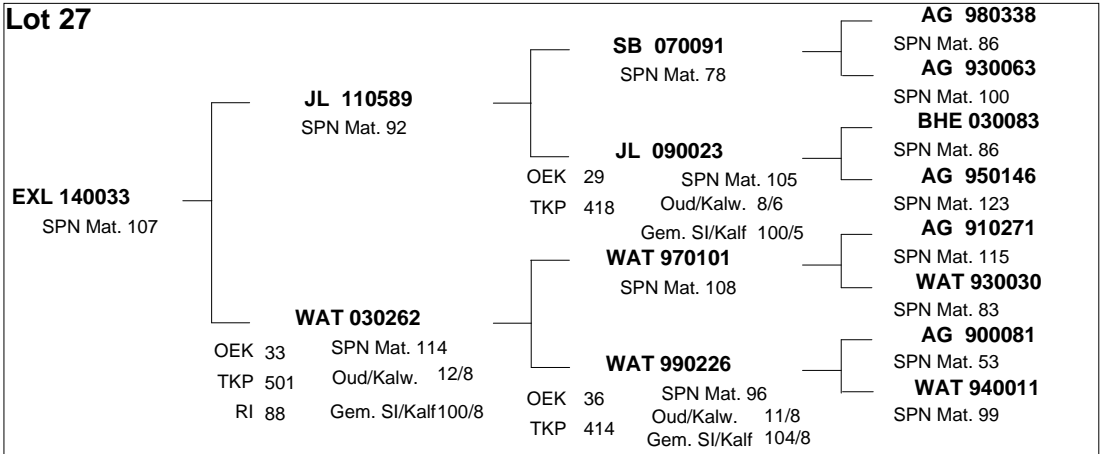
## BULLE

27	EXCELSUS TRUST	EXL 140033	JL 110589	NS540	<b>103</b>	<b>85</b>	<b>95</b>	<b>107</b>	<b>78</b>	<b>98</b>	<b>92</b>	<b>89</b>	<b>111</b>	<b>91</b>	<b>87</b>	-		
					0.68 77	5.1 73	0.02 51	5.9 51	-15.0 42	17.7 64	49 50	-24 27	16.8 54	-5 54	1 53	-		
		SP	WAT 030262	10.05.14	35	155	<b>91</b>			122	105	-	-	-	-	32.1		
28	H.F. NAUDE	HFN 140179	NFS 100210	C32	<b>102</b>	<b>100</b>	<b>101</b>	<b>98</b>	<b>102</b>	<b>93</b>	<b>107</b>	<b>126</b>	<b>99</b>	<b>95</b>	<b>93</b>	1.18		
					0.71 75	11.8 72	-0.22 49	3.3 51	10.0 24	14.8 54	115 62	-78 70	9.8 71	-2 73	7 69	-		
		B	HFN 050509	05.10.14	38	243	<b>107</b>			-	<b>121</b>	112	347	1177	1389	45.8		Goue Meriete
29	H.F. NAUDE	HFN 140055	PHR 060044	C32	<b>83</b>	<b>105</b>	<b>91</b>	<b>103</b>	<b>102</b>	<b>101</b>	<b>122</b>	<b>137</b>	<b>105</b>	<b>119</b>	<b>108</b>	1.13		
					2.76 77	14.1 75	0.24 57	4.7 57	11.0 36	19.8 64	180 66	-94 72	13.3 74	15 75	22 72	-		
		SP	HFN 090341	14.05.14	46	196	<b>99</b>			-	<b>104</b>	115	343	1216	1372	-		Silwer Meriete
30	EXCELSUS TRUST	EXL 140067	JL 110589	NS540	<b>90</b>	<b>104</b>	<b>98</b>	<b>91</b>	<b>97</b>	<b>104</b>	<b>102</b>	<b>98</b>	<b>111</b>	<b>101</b>	<b>103</b>	-		
					2.04 76	13.8 73	-0.11 50	1.3 48	5.0 35	21.8 59	90 45	-37 25	16.5 49	2 50	18 49	-		
		SP	DAJ 060112	23.10.14	40	220	<b>100</b>			104	101	-	-	-	-	-		
31	H.F. NAUDE	HFN 140057	JMP 060140	C32	<b>95</b>	<b>117</b>	<b>88</b>	<b>95</b>	<b>97</b>	<b>119</b>	<b>129</b>	<b>119</b>	<b>111</b>	<b>101</b>	<b>112</b>	1.21		
					1.48 77	19.7 75	0.38 57	2.6 58	5.0 41	32.7 62	208 67	-69 72	16.7 74	2 75	27 72	-		
		SP	HFN 110024	15.05.14	40	231	<b>125</b>			-	<b>116</b>	109	331	1186	1433	-		Goue Meriete
32	H.F. NAUDE	HFN 140109	NFS 100210	C32	<b>95</b>	<b>99</b>	<b>78</b>	<b>121</b>	<b>103</b>	<b>106</b>	<b>130</b>	<b>131</b>	<b>104</b>	<b>109</b>	<b>111</b>	1.14		
					1.45 77	11.5 74	0.84 47	9.7 48	12.0 31	23.3 60	210 63	-86 71	12.9 72	8 74	25 71	-		
		SP	HFN 090020	04.06.14	40	181	<b>93</b>			-	<b>107</b>	107	328	1218	1388	-		Brons Meriete

# BONSKARA BEESTELERSKAP VAN SA

Saamgestel deur die Suid-Afrikaanse Stamboek- en Veeverbeteringsvereniging

Veilingsdatum: 15/06/2017  
Data soos op 08/06/2017 10:22:15

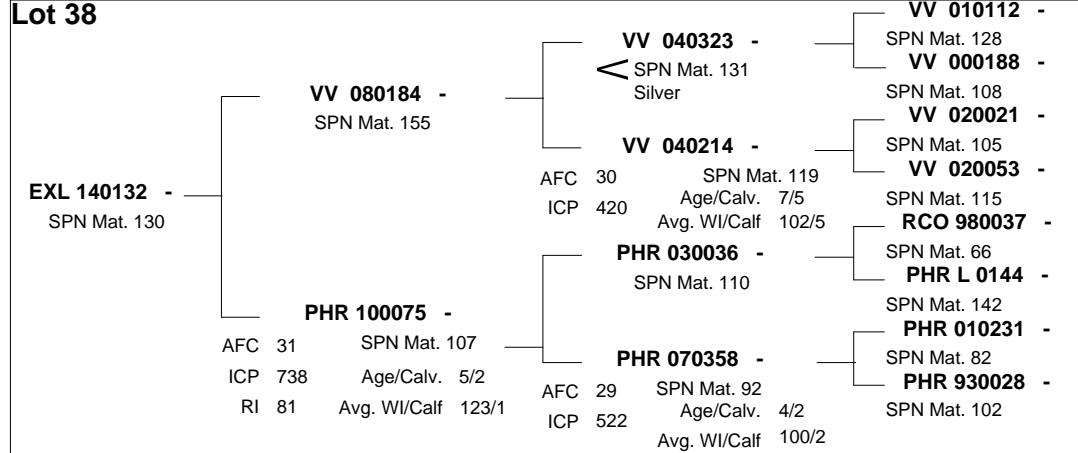
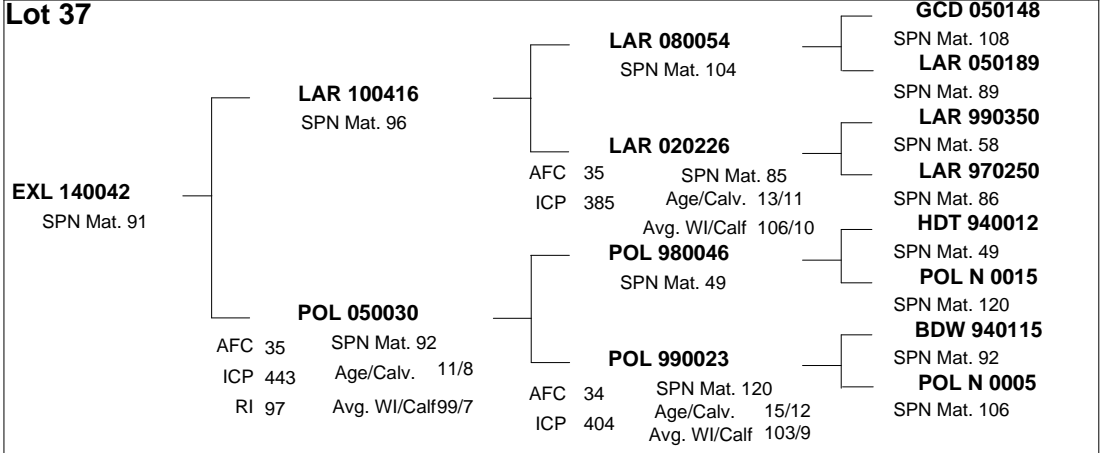
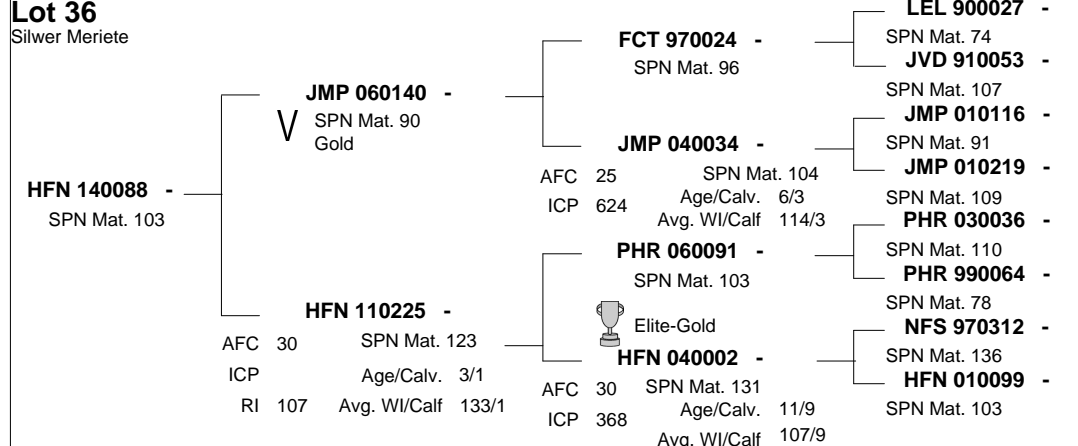
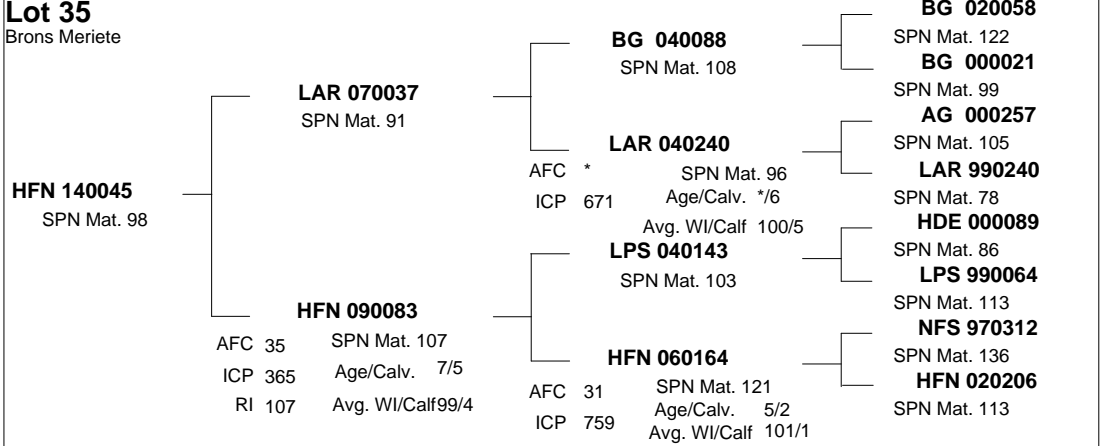
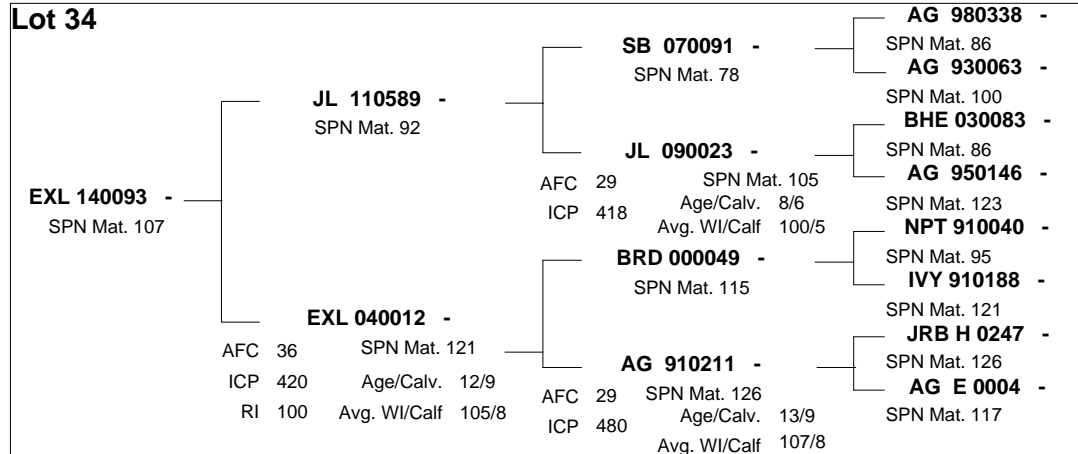
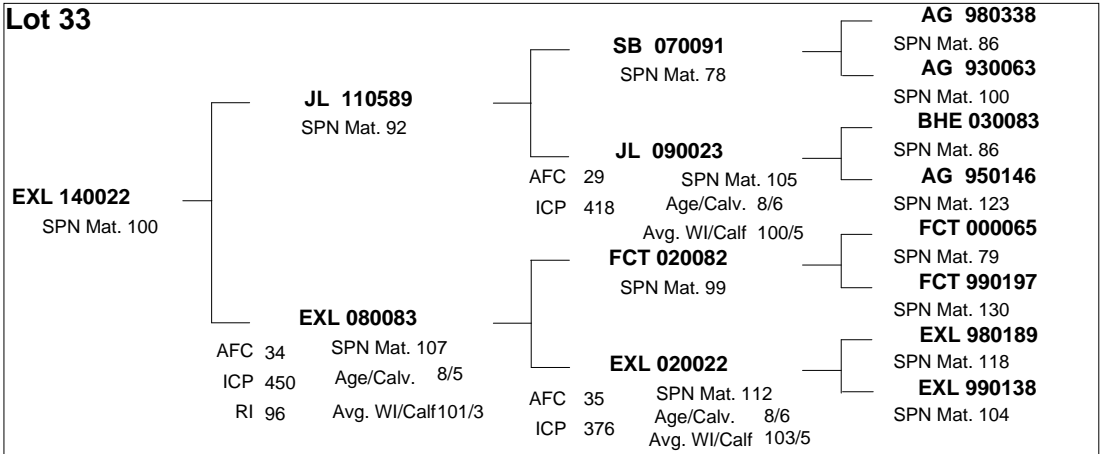


Lot	Seller	ID	PARENTS	Test	Breeding Value Indexes											R:	Semen Users	Breeder Own Remarks			
					DIRECT CALF TRAITS		DAUGHTER TRAITS			GROWTH		EFF.	REP	MEASUREMENTS							
		POLLED		SIRE	LidCat	Birth Dir		Wean Dir		Birth Mat	Wean Mat	Mat Wgt	Post Wean		ADG	FCR	SC	Hgt	Lgt	LHR	
		Gen				DAM	DNA	Acc	Acc	Acc	Acc	Acc	Acc	Acc	Acc	Acc	Acc	Acc	Acc	Acc	Acc
				PV	DNA	Acc	Acc	Acc	Acc	Acc	Acc	Acc	Acc	Acc	Acc	Acc	Acc	Acc	Acc	Acc	WWR
				PV	Birth Date	Wgt kg	Wgt kg	Ind	kg	kg	kg	365d Ind	540d Ind	Ind	Ind	(mm)	(mm)	(mm)			

**BULLS**

33	EXCELSUS TRUST	EXL 140022	JL 110589	PW540	<b>89</b>	<b>103</b>	<b>90</b>	<b>100</b>	<b>87</b>	<b>102</b>	<b>99</b>	<b>94</b>	<b>112</b>	<b>95</b>	<b>97</b>	-		
					2.17	13.2	0.26	3.9	-5.0	20.8	79	-32	17.7	-2	11	-		
		SP	EXL 080083	01.05.14	38	178	<b>100</b>				100	100	-	-	-	-	41.4	
34	EXCELSUS TRUST	EXL 140093	JL 110589	PW540	<b>99</b>	<b>99</b>	<b>97</b>	<b>107</b>	<b>99</b>	<b>99</b>	<b>103</b>	<b>95</b>	<b>115</b>	<b>102</b>	<b>105</b>	-		
					1.09	11.5	-0.06	5.7	8.0	18.9	95	-32	18.9	3	20	-		
		SP	EXL 040012	07.11.14	34	205	<b>105</b>				107	104	-	-	-	-	-	
35	H.F. NAUDE	HFN 140045	LAR 070037	C32	<b>118</b>	<b>96</b>	<b>100</b>	<b>98</b>	<b>98</b>	<b>93</b>	<b>107</b>	<b>81</b>	<b>127</b>	<b>103</b>	<b>109</b>	1.18		
					-0.90	10.0	-0.20	3.5	7.0	14.8	115	-13	26.0	3	24	-		
		SP	HFN 090083	12.05.14	35	175	<b>92</b>				65	67	71	74	76	73	-	
36	H.F. NAUDE	HFN 140088	JMP 060140	C32	<b>112</b>	<b>118</b>	<b>103</b>	<b>103</b>	<b>102</b>	<b>121</b>	<b>137</b>	<b>125</b>	<b>112</b>	<b>118</b>	<b>126</b>	1.18		
					-0.31	20.1	-0.33	4.9	11.0	33.7	241	-76	17.5	14	42	-		
		SP	HFN 110225	24.05.14	33	235	<b>133</b>				61	66	72	74	75	72	-	
37	EXCELSUS TRUST	EXL 140042	LAR 100416	PW540	<b>97</b>	<b>113</b>	<b>105</b>	<b>91</b>	<b>105</b>	<b>119</b>	<b>104</b>	<b>97</b>	<b>107</b>	<b>94</b>	<b>107</b>	-		
					1.30	17.7	-0.43	1.5	13.0	32.3	100	-36	14.7	-3	21	-		
		SP	POL 050030	16.07.14	35	217	<b>105</b>				62	45	7	49	49	48	-	
38	EXCELSUS TRUST	EXL 140132	VV 080184	PW540	<b>83</b>	<b>131</b>	<b>108</b>	<b>130</b>	<b>110</b>	<b>136</b>	<b>141</b>	<b>133</b>	<b>119</b>	<b>129</b>	<b>132</b>	-		
					2.73	25.6	-0.54	12.1	19.0	44.4	259	-88	21.4	22	48	-		
		SP	PHR 100075	25.11.14	37	232	<b>123</b>				66	51	31	53	54	53	-	

0.97	11.8	-0.18	3.9	8	19.3	84	-40	10.3	1	14
------	------	-------	-----	---	------	----	-----	------	---	----



Lot	Verkoper	ID	POENA	Gen	OUERS		Toets	Teelwaarde indekse										LHV	GGV	SGV	Semen Gebruikers	Gebruiker Eie Opmerkings								
					VADER	MOEDER		LidCat	Geb Dir	Speen Dir	Geb Mat	Speen Mat	Volw Gew	Naspeen	GDT	VOV	SO						Hgt	Lgt						
					DNS	Akk	Akk	Akk	Akk	Akk	Akk	Akk	Akk	Akk	Akk	Akk	Akk	Akk	Akk	Akk	Akk	Akk	Akk	Akk	Akk	Akk	Akk	Akk	Akk	Akk
					Geb. dat.	Gew kg	Gew kg	Ind	kg	kg	kg	365d Ind	540d Ind	Ind	Ind	(mm)	(mm)	(mm)												

**BULLE**

39	H.F. NAUDE	HFN 140046	JMP 060140	C32	<b>113</b>	<b>113</b>	<b>97</b>	<b>99</b>	<b>100</b>	<b>117</b>	<b>132</b>	<b>121</b>	<b>121</b>	<b>119</b>	<b>122</b>	1.18	Silver Meriete
					-0.42	17.7	-0.06	3.7	8.0	31.1	222	-70	22.8	15	38	-	
		SP	HFN 110054	13.05.14	35	230	<b>128</b>				-	<b>107</b>	103	341	1225	1442	
40	H.F. NAUDE	HFN 140209	LAR 070037	C32	<b>102</b>	<b>106</b>	<b>111</b>	<b>80</b>	<b>104</b>	<b>103</b>	<b>111</b>	<b>102</b>	<b>106</b>	<b>108</b>	<b>115</b>	1.23	Silver Meriete
					0.73	14.6	-0.70	-1.5	12.0	21.3	132	-42	13.9	7	30	-	
		SP	HFN 080054	19.10.14	34	218	<b>96</b>				-	<b>107</b>	102	333	1176	1450	
41	EXCELSUS TRUST	EXL 140130	EXL 100044	NS540	<b>104</b>	<b>101</b>	<b>106</b>	<b>101</b>	<b>93</b>	<b>96</b>	<b>94</b>	<b>96</b>	<b>111</b>	<b>104</b>	<b>102</b>	-	
					0.58	12.3	-0.46	4.3	1.0	16.4	60	-35	16.8	4	16	-	
		SP	EXL 080024	25.11.14	34	205	<b>105</b>				102	96	-	-	-	-	
42	EXCELSUS TRUST	EXL 140036	LAR 100416	NS540	<b>98</b>	<b>117</b>	<b>111</b>	<b>101</b>	<b>110</b>	<b>117</b>	<b>118</b>	<b>118</b>	<b>107</b>	<b>105</b>	<b>116</b>	-	
					1.22	19.7	-0.67	4.2	19.0	30.9	161	-67	14.5	5	31	-	
		SP	MCU 050025	15.06.14	37	228	<b>110</b>				106	103	-	-	-	-	
43	H.F. NAUDE	HFN 140150	JMP 060140	C32	<b>113</b>	<b>108</b>	<b>99</b>	<b>92</b>	<b>94</b>	<b>111</b>	<b>133</b>	<b>122</b>	<b>118</b>	<b>105</b>	<b>111</b>	1.15	Bron Meriete
					-0.43	15.3	-0.12	1.7	2.0	27.0	227	-72	20.8	5	26	-	
		SP	HFN 110235	24.06.14	36	319	<b>102</b>				-	<b>103</b>	97	336	1200	1383	
44	H.F. NAUDE	HFN 140231	PHR 060044	C32	<b>82</b>	<b>112</b>	<b>87</b>	<b>107</b>	<b>105</b>	<b>109</b>	<b>139</b>	<b>128</b>	<b>111</b>	<b>135</b>	<b>134</b>	1.19	Bron Meriete
					2.81	17.2	0.42	6.0	14.0	25.6	251	-81	16.9	26	49	-	
		SP	HFN 040149	27.10.14	44	247	<b>106</b>				-	<b>100</b>	96	342	1240	1476	

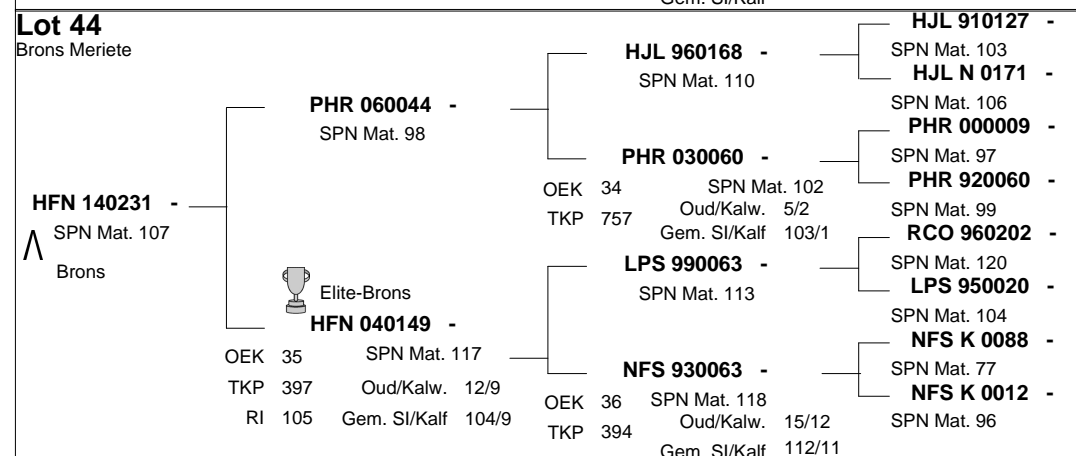
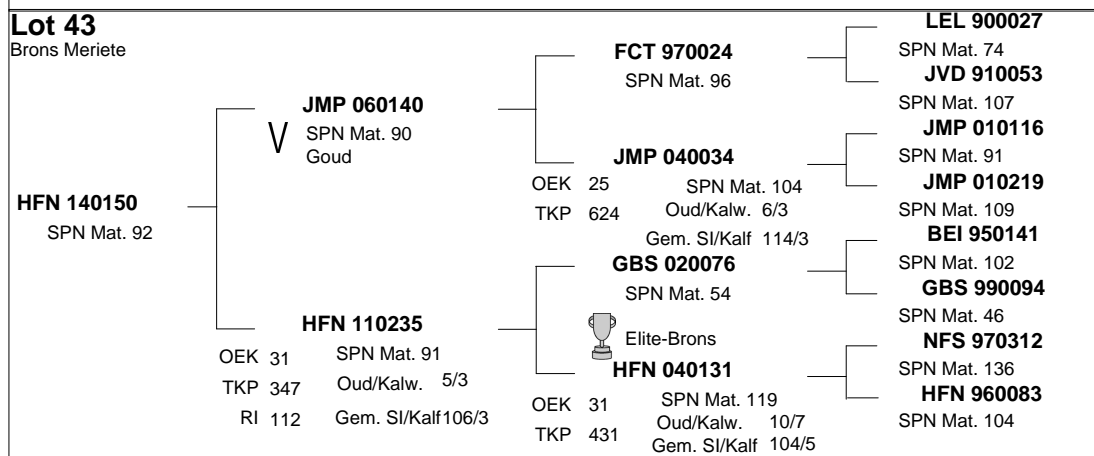
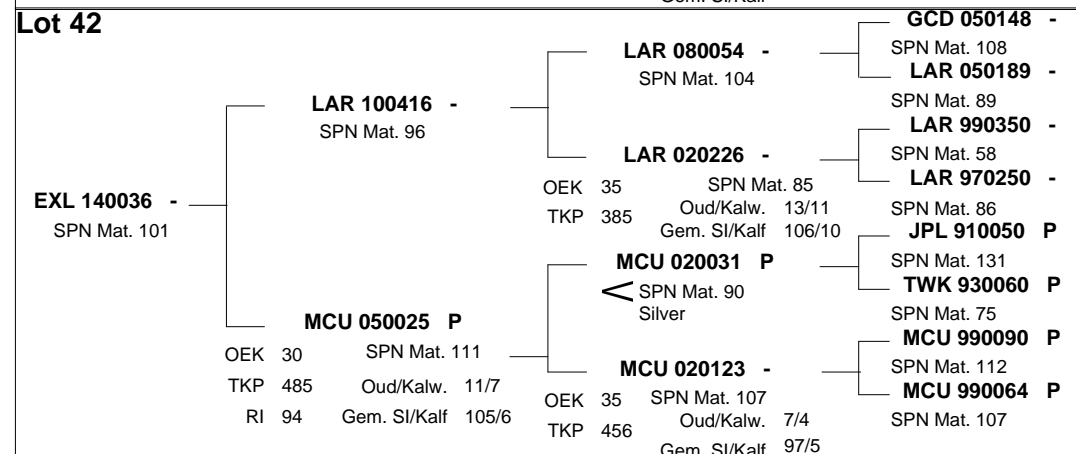
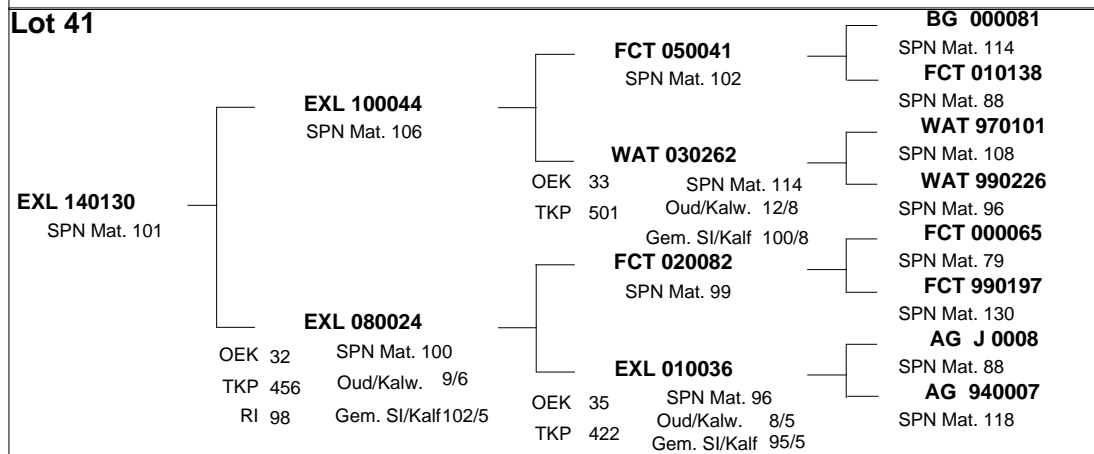
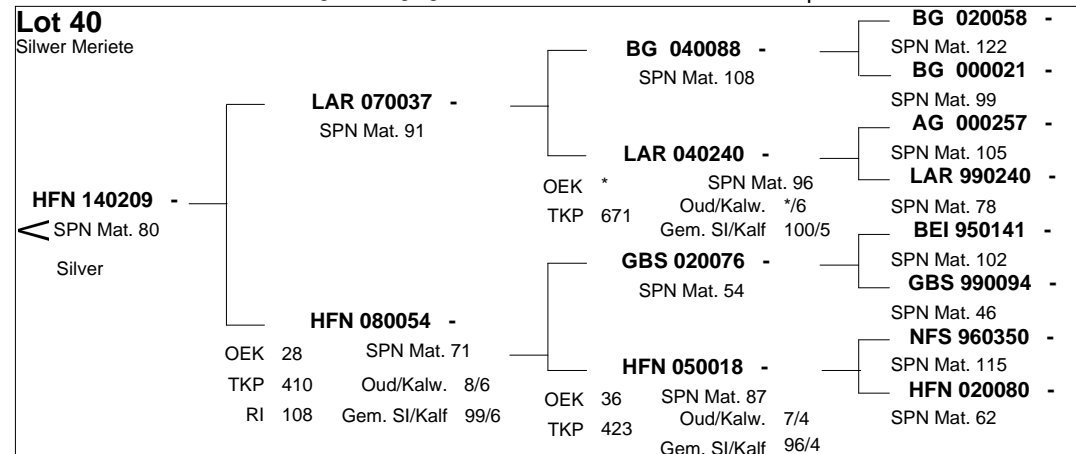
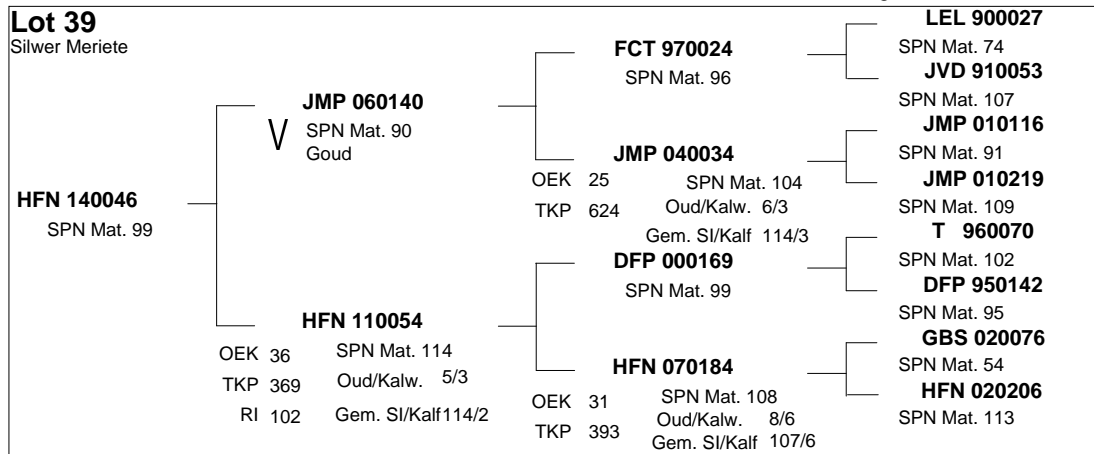


# BONNSDARA BEESTENGENOOTSKAP VAN SA

Saamgestel deur die Suid-Afrikaanse Stamboek- en Veeverbeteringsvereniging

Veilingsdatum: 15/06/2017

Data soos op 08/06/2017 10:22:44



Lot	Seller	ID POLLED Gen	PARENTS		Test	Breeding Value Indexes											LHR	BWR	WWR	Semen Users	Breeder Own Remarks
			SIRE PV	DAM PV		LidCat	DNA	Birth Dir	Wean Dir	Birth Mat	Wean Mat	Mat Wgt	Post Wean	ADG	FCR	SC					
				Birth Date	Wgt kg	Wgt kg	Ind	kg	kg	kg	365d Ind	540d Ind	Ind	Ind	(mm)	(mm)	(mm)				

## BULLS

45	H.F. NAUDE	HFN 140070	PHR 060044	C32	<b>108</b>	<b>109</b>	<b>108</b>	<b>111</b>	<b>114</b>	<b>97</b>	<b>119</b>	<b>126</b>	<b>118</b>	<b>126</b>	<b>119</b>	1.15	Goue Meriete
					0.11	15.7	-0.56	6.8	23.0	17.5	167	-78	20.9	20	34	-	
		SP	HFN 000035	19.05.14	35	220	121				-	105	108	358	1219	1406	
46	EXCELSUS TRUST	EXL 140084	LAR 090281	PW540	<b>84</b>	<b>112</b>	<b>93</b>	<b>107</b>	<b>124</b>	<b>112</b>	<b>117</b>	<b>115</b>	<b>116</b>	<b>101</b>	<b>107</b>	-	
					2.59	17.2	0.12	5.9	33.0	27.4	155	-62	20.0	2	22	-	
		SP	PHR 100306	03.11.14	34	197	103				96	96	-	-	-	-	

